

Membrane Type Nominal Static Pressure



1300 SERIES

- Rugged, moderate working static pressure dry or liquid-filled gauge
- Ranges from 0 inH₂O to 100 inH₂O through 0 psid to 400 psid
- 4-1/2" and 6" gauge sizes
- Standard black anodized aluminum case
- 316 stainless steel wetted parts

APPLICATIONS

- Back flow testing
- Chemical processing
- Cryogenic systems
- Filter monitoring
- Flow indication
- Oilfield & offshore

SPECIFICATIONS

Pressure ranges	0 inH ₂ O to 100 inH ₂ O through 0 psid to 400 psid
Max. working static pressure	600 psig
Accuracy	±1% of full scale on rising pressure
Temperature ranges	Media -40 °F to 200 °F (-40 °C to 93 °C) Ambient -40 °F to 200 °F (-40 °C to 93 °C) Storage -40 °F to 200 °F (-40 °C to 93 °C)
Measuring element	316L stainless steel – NACE compliant
O-ring material	PTFE
Connection	1/4" NPT female, dual top & bottom
Sensor housing material	316L stainless steel
Case	Black anodized aluminum
Bezel	316L stainless steel
Lens	Polycarbonate
Pointer	Balanced aluminum, black finish
Dial	Aluminum, black background with white scale
Movement	Stainless steel
Gauge fill fluid	Glycerine

ORDERING INFORMATION			
GAUGE SIZES & SERIES	45 - 13 4-1/2"	60 - 13 6"	
CONNECTION LOCATIONS	0 Top & bottom	1 Back	
CONNECTION SIZE	2 1/4" NPT female		
PRESSURE RANGES	W100 0 inH ₂ O to 100 inH ₂ O	W400 0 inH ₂ O to 400 inH ₂ O	P100 0 psid to 100 psid
	W150 0 inH ₂ O to 150 inH ₂ O	P15 0 psid to 15 psid	P230 0 psid to 230 psid
	W200 0 inH ₂ O to 200 inH ₂ O	P30 0 psid to 30 psid	P300 0 psid to 300 psid
	W300 0 inH ₂ O to 300 inH ₂ O	P60 0 psid to 60 psid	P400 0 psid to 400 psid
SENSOR HOUSING MATERIAL	S 316L Stainless steel		
O-RING MATERIALS	1 PTFE	2 FKM	3 NBR
CASE MATERIALS	A Aluminum, black	S 316L Stainless steel	
LENSES	1 Polycarbonate	2 Safety glass	
FILL FLUIDS (optional)	GY Glycerine	SL Silicone	HL Halocarbon®

Please consult your local NOSHOK Distributor or NOSHOK, Inc. for availability and delivery information.

EXAMPLE

40-13 0 2 - W100 - S 1 A - 2 - GY

Gauge size & series 4" 1300 Series

Connection location Top & bottom

Connection size 1/4" NPT female

Pressure range 0 inH₂O to 100 inH₂O

Sensor housing material 316L Stainless steel

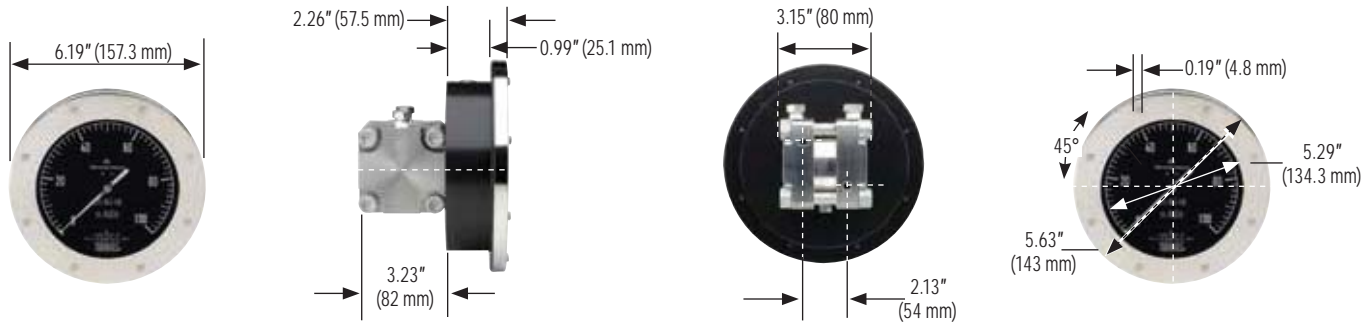
O-ring material PTFE

Case material Aluminum, black

Lens Safety glass

Fill fluid (optional) Glycerine

4-1/2" Gauge Panel Cut-Out Dimensions



6" Gauge Panel Cut-Out Dimensions

